

REV.	ECN. NO.	NAME	DATA
A0	NEW	MIN-D	2014-07-31
A1	新增加料号	MIN-D	2014-10-28
A2	新增加料号	MIN-D	2014-11-25

SPECIFICATION NOTES:

ELECTRICAL:

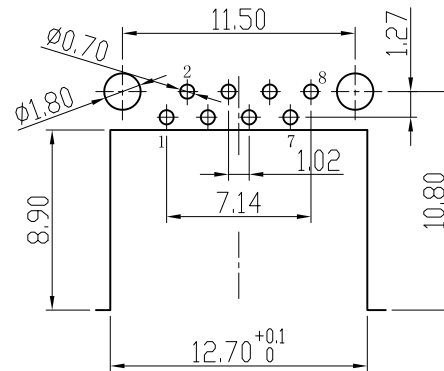
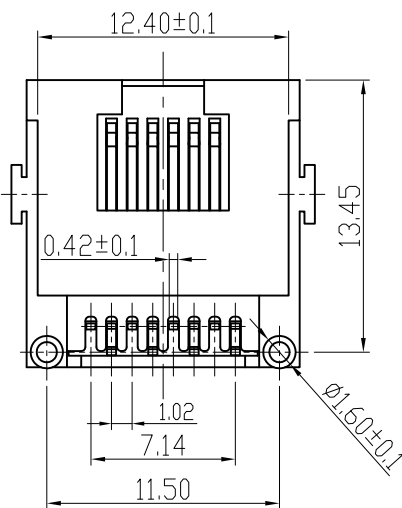
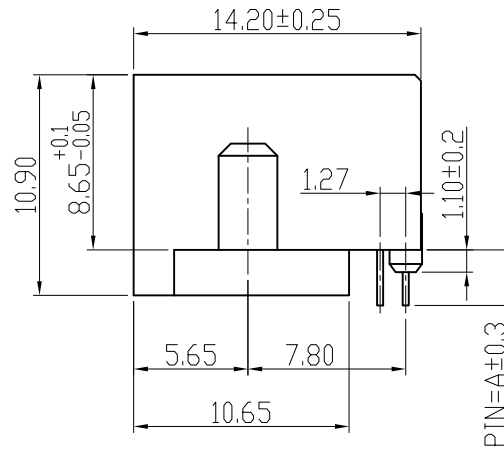
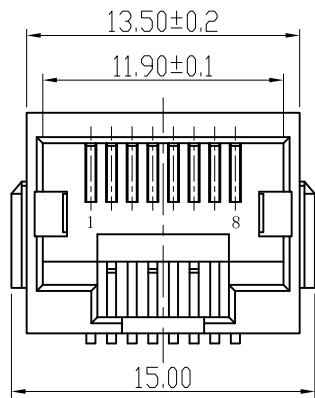
- VOLTAGE RATING: 125 VAC RMS
- CURRENT RATING: 1.5 AMP
- CONTACT RESISTANCE: 30mΩ MAX.
- INSULATION RESISTANCE: 1000MΩMIN. AT 500V DC.
- DIELECTRIC STRENGTH: 1000 VAC 50Hz 1MINUTE

MECHANICAL:

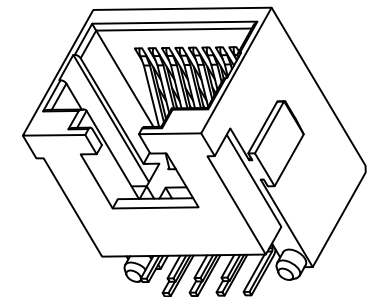
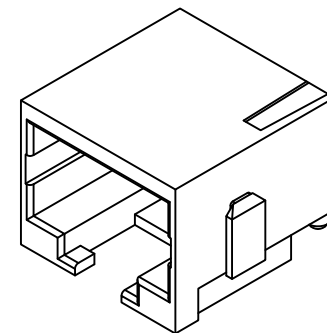
- HOUSING/INSERT MATERIAL:THERMOPLASTIC, LCP/NYLON UL94V-0 RATED,COLOR BLACK.
- CONTACT MATERIAL: C5191-H T=0.30MM
- SHELL MATERIAL: N/A.
- PLATING:GOLD PLATING OVER NICKEL, PLATED NICKEL 30-50U". SN 100-120U. GOLD PLATED ON CONTENT AREA FU/3U/6U/15U/30U" SHELL PLATING: N/A.
- OPERATING LIFE:750 CYCLES MIN.
- MATING FORCE: 5-25N UNMATING FORCE: 76N MIN.

ENVIRONMENTAL:

- STORAGE: -40°C TO +85°C
- OPERATION: -40°C TO +85°C



RECOMMENDED PCB LAYOUT
TOLERANCES: ± 0.05



备注 (PIN长=A)
PA66黑色 针长2.75
PA9T黑色 针长2.9
PA9T黑色 针长1.8
PA9T黑色 针长1.8



公差: TOLERANCES	
MM	INCH
.0 ± 0.20	.0 ± 0.30
.00 ± 0.15	.00 ± 0.25
.00 ± 0.075	.000 ± 0.10
角度 (ANGLES) ± 1.5°	
第三角视图	

绘图: (Designed)	材料: (Material)
审核: (Checked)	比例: (SCALE) 1:1
批准: (Approved)	SEE NOTES

Coorle Technology

系列 (SERIES)	名称 (NAME)		
RJ	RJ45 8P8C 14.2 全塑沉板H=8.6		
图号 (DWG NO.):	料号 (PART NO.):	版本 (REV.):	A2
单位 (UNIT): MM	共 (SHEET) 1 页	第 (OF) 1 页	